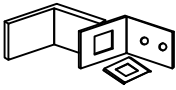
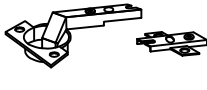


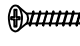
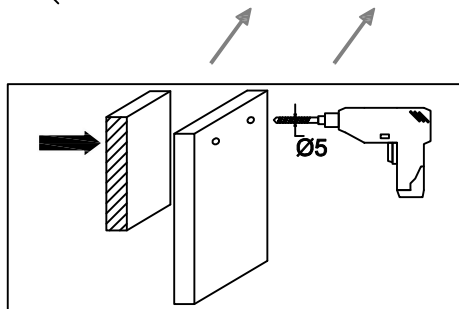
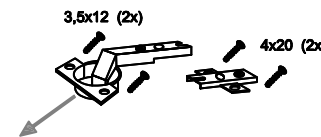
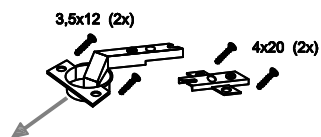
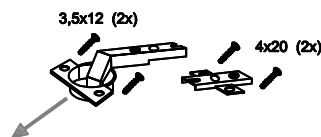
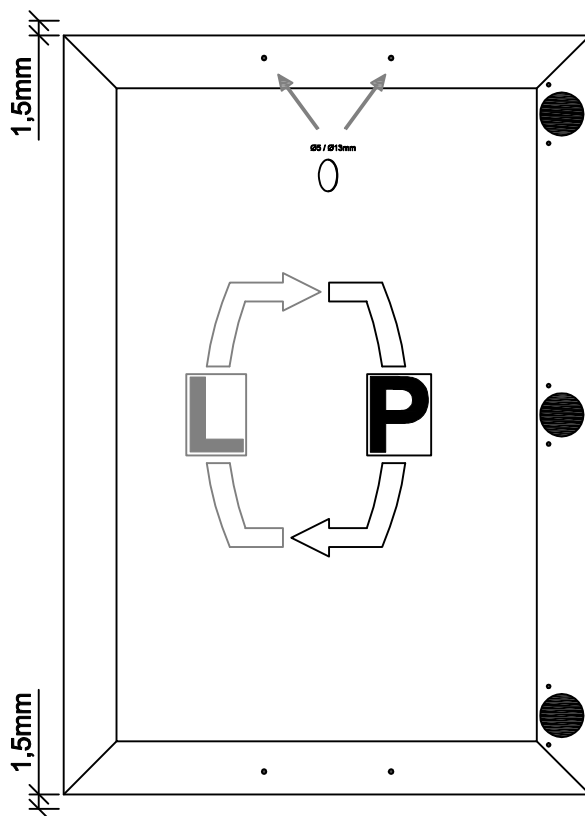
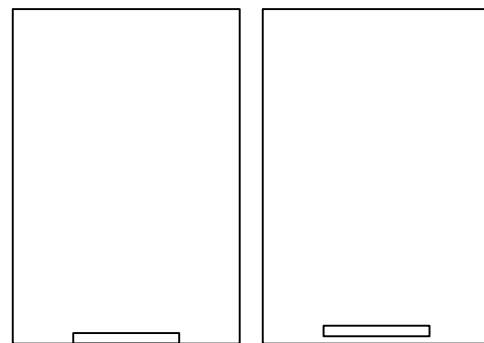


# F26 1D600 SKLO

<b>L</b>	x2	<b>M</b>	x3	<b>J</b>	x4
					
<b>P</b>	x6	<b>S</b>	x6		
3,5x12mm		4x20mm			
					



**K18 HS600**  
**V:1000**

